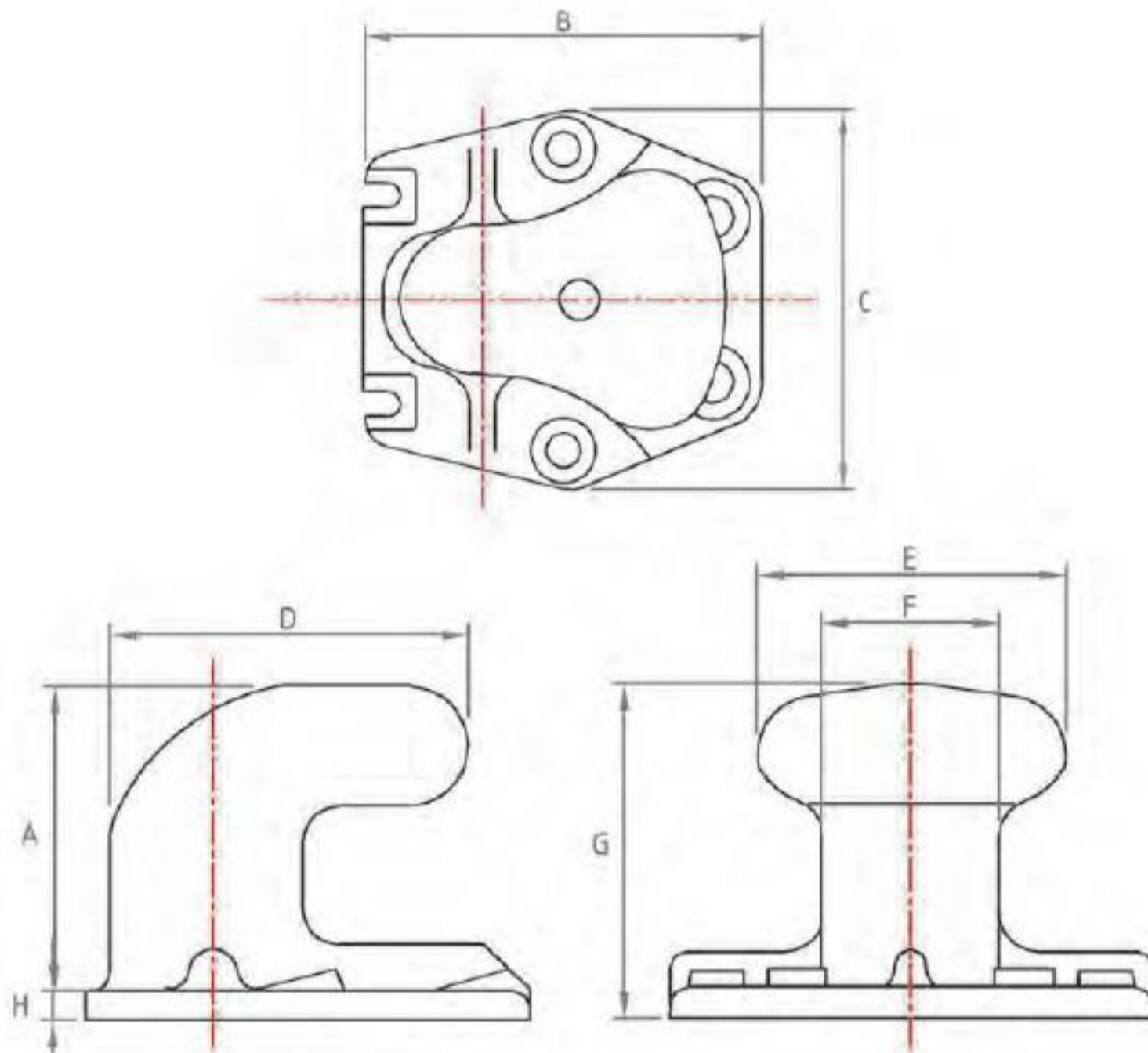


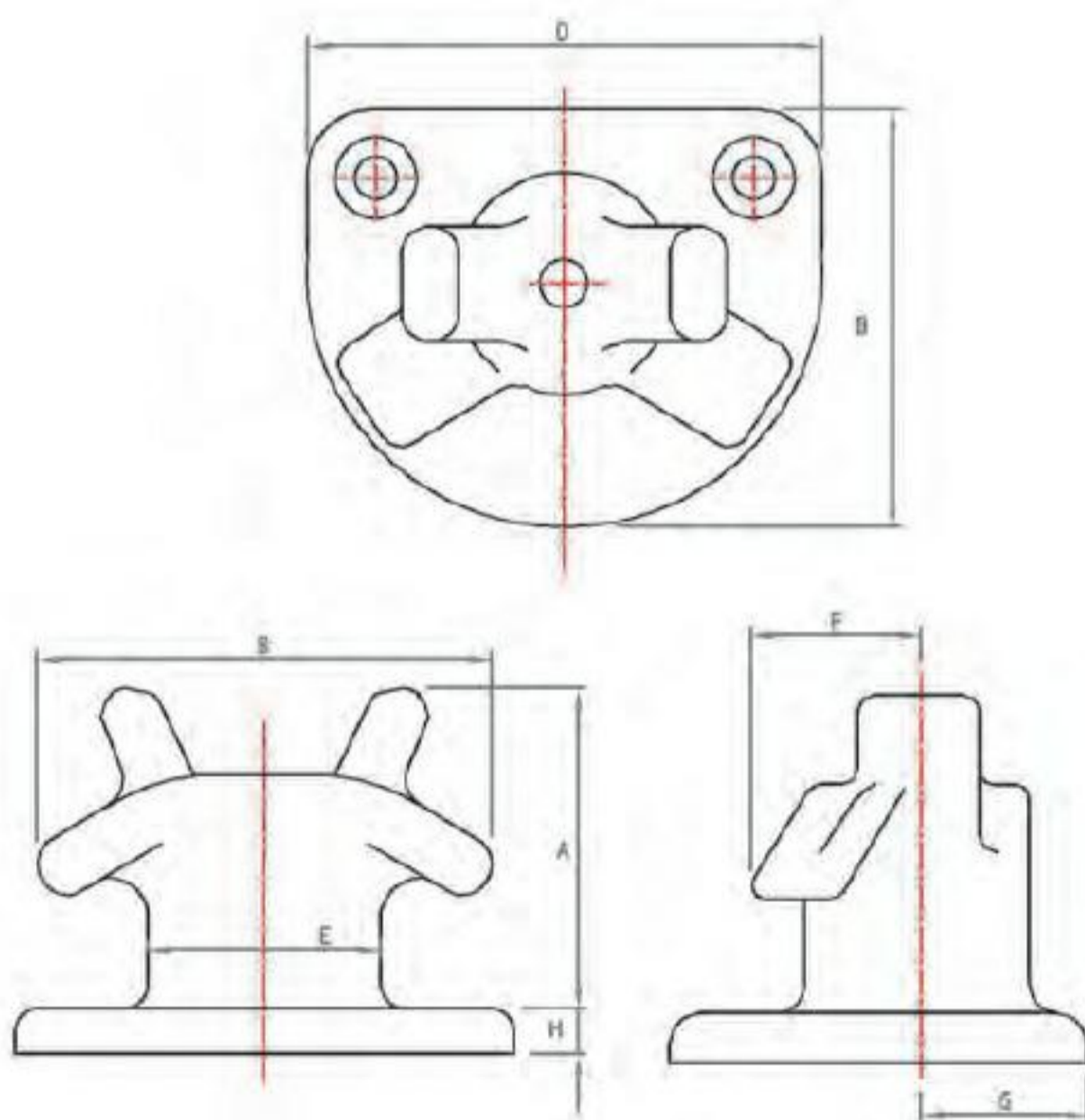
## Curve Bollard (C)



Curve Bollard (C)		
Dimensions in Metric (mm)		
Type	C50	C70
A	710	810
B	840	1000
C	945	1000
D	700	800
E	660	840
F	355	400
G	780	900
H	70	90
No. of Bolts	6	6
Dia. of Bolts	48	56
Pull in Tons	50	70

HULL  
FITTINGS

## Horne Bollard (H)



Horne Bollard (H)								
Dimensions in Metric (mm)								
Type	H15	H20	H30	H50	H70	H100	H150	H200
A	410	455	500	530	570	585	660	660
B	440	480	600	660	750	850	930	930
C	405	455	540	600	650	770	850	850
D	480	530	640	700	800	920	1000	1000
E	200	220	260	300	350	400	450	450
F	145	170	190	220	260	280	325	325
G	165	190	220	250	250	310	350	350
H	40	45	50	70	80	90	90	100
No. of Bolts	5	5	5	7	7	7	8	8
Dia. of Bolts	30	30	36	42	42	51	56	64
Pull in Tons	15	20	30	50	70	100	150	200