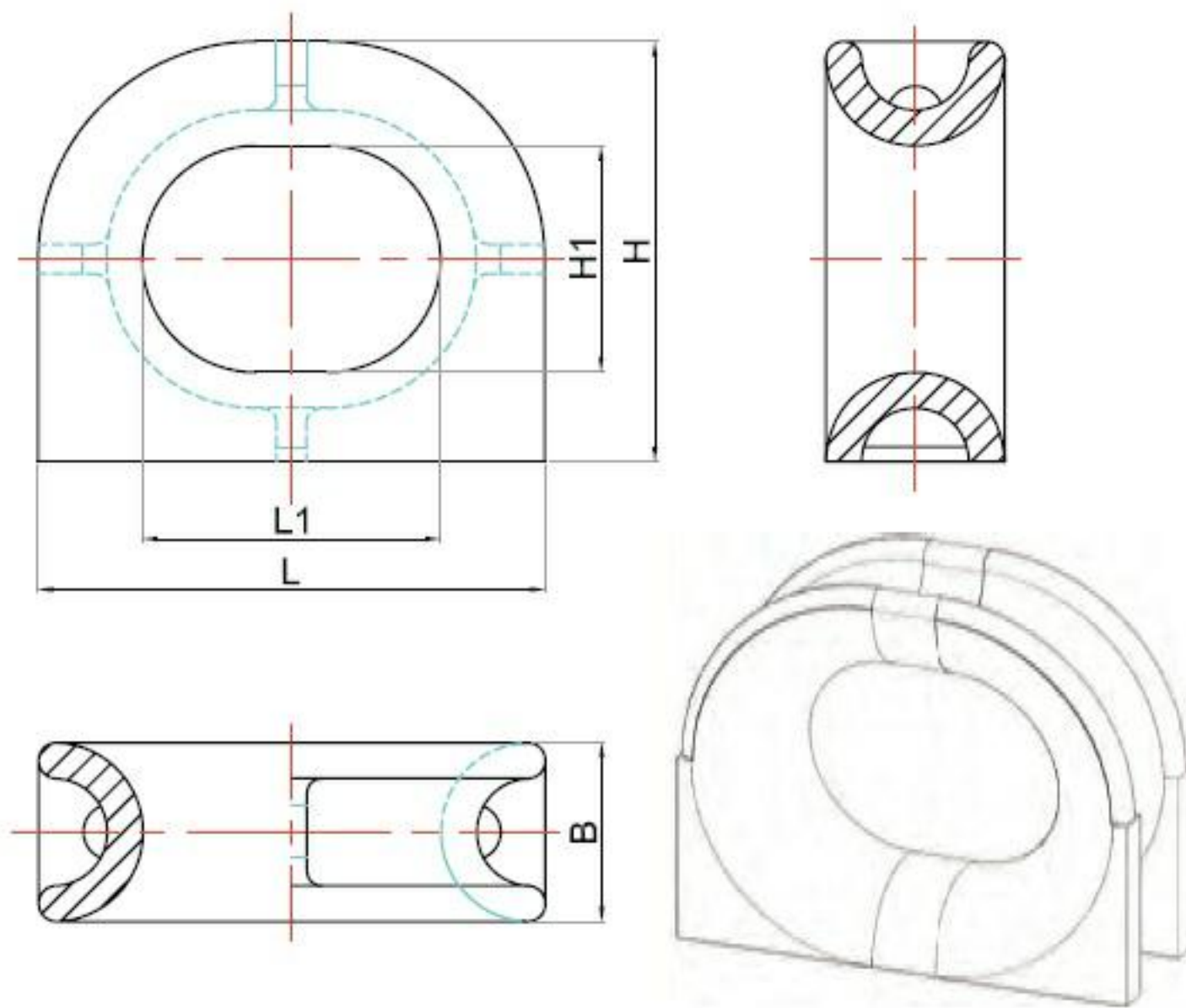
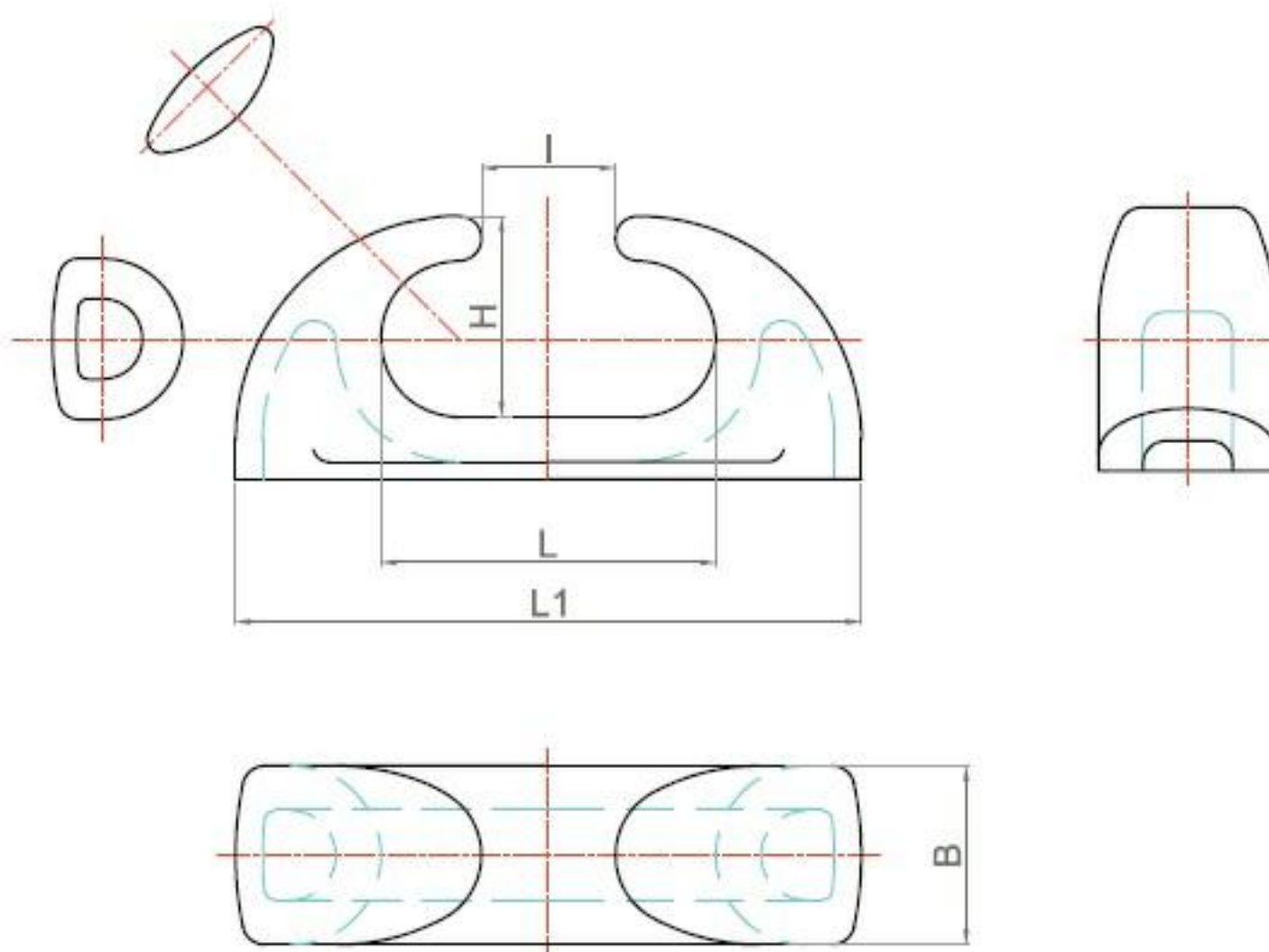


## MDK-M2005 Closed Chock



Nominal Size.	B	H	H1	L	L1
100	60	141	76	170	100
150	90	205	110	250	150
200	120	150	280	340	200
250	160	372	200	434	250
300	200	464	250	528	300
350	220	485	250	600	350
400	240	506	250	672	400
450	260	528	250	746	450
500	280	550	250	820	500

## MDK-M2006 Open Chock



Nominal Diameter	L	L1	I	H	B
150	150	280	60	90	80
200	200	380	84	116	110
250	250	460	114	136	130
300	300	540	140	160	150
350	350	620	170	180	170
400	400	700	200	200	200