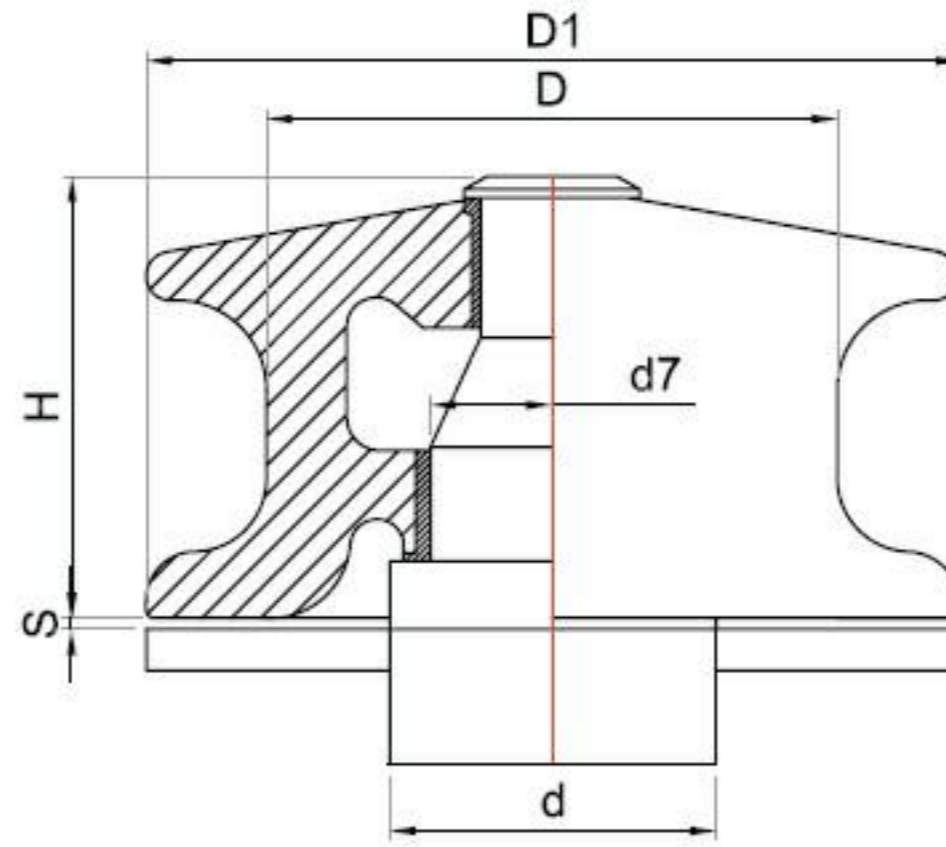


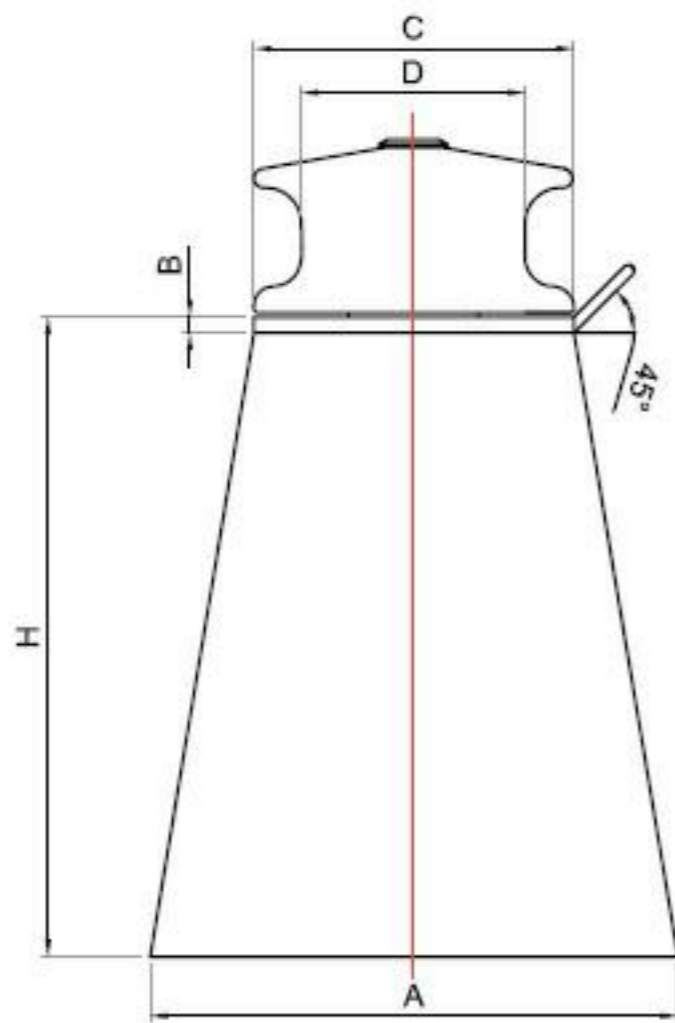
MDK-M2014 Fairlead Rollers (EU Type)



HULL FITTINGS

Nominal Size	D1	d	d7	H	S	Mass	Breaking Load	Dia. Of Mooring Line Reference			
								D	KG	Ton	Wire Rope
6X24	6X37										
150	240	90	79	154	5	25	13	17	15	32	45
200	310	115	99	186	5	50	21	22	20	40	55
250	380	135	119	230	6	92	28	24	24	45	65
300	440	155	129	255	7	127	42	30	28	50	70
350	500	175	149	271	7	168	51	38	34	55	75
400	550	195	159	307	7	252	74	42	40	65	80
450	630	210	179	316	7	310	90	44	42	80	-

MDK-M2014 Fairlead Rollers (EU Type) With Conical Base



Roller	A	B	C	H
350	825	25	500	1000
400	1020	35	560	1000
450	1020	35	630	1000
500	1120	40	710	1000
560	1180	40	800	1000